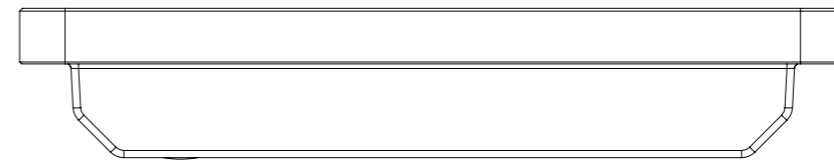
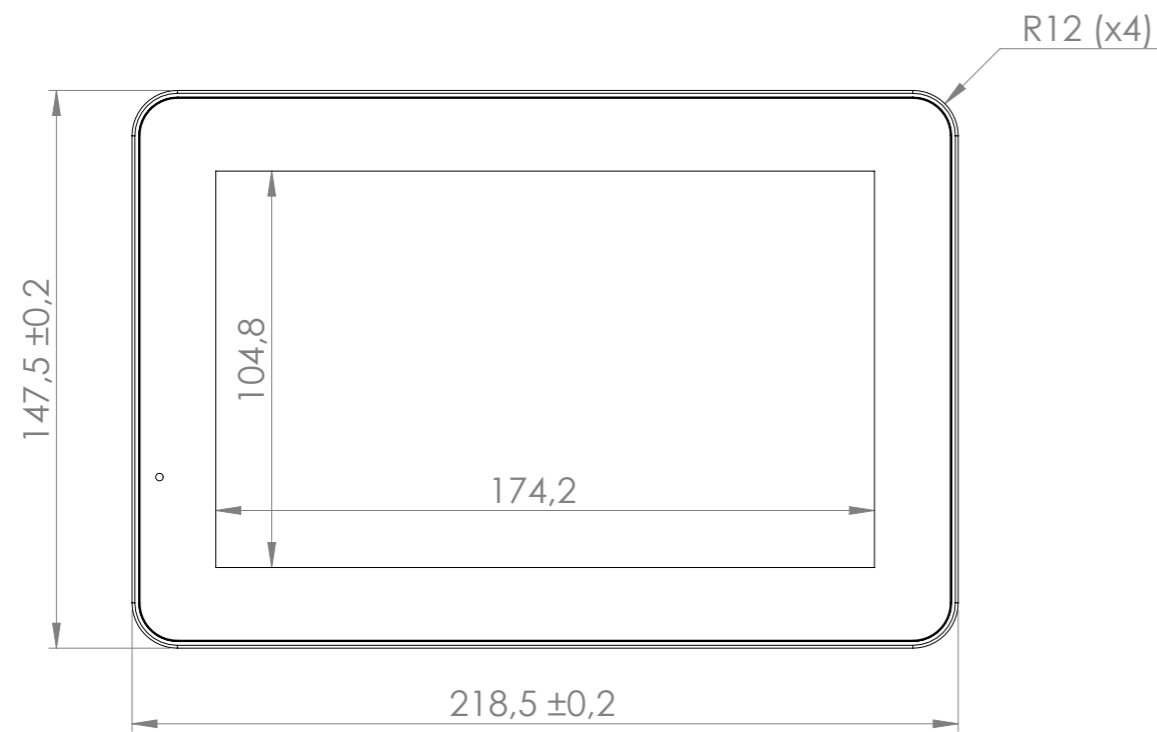


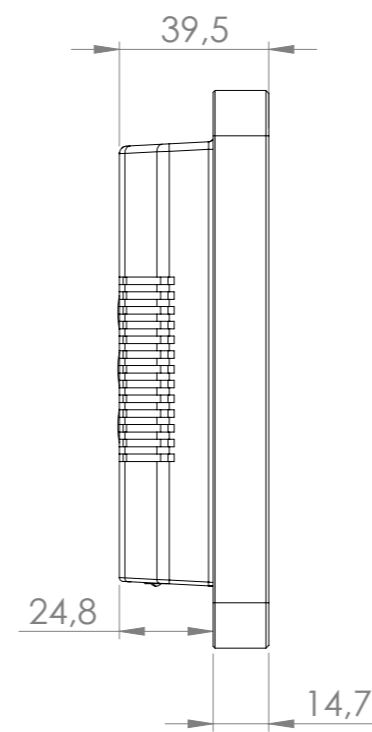
BOTTOM VIEW



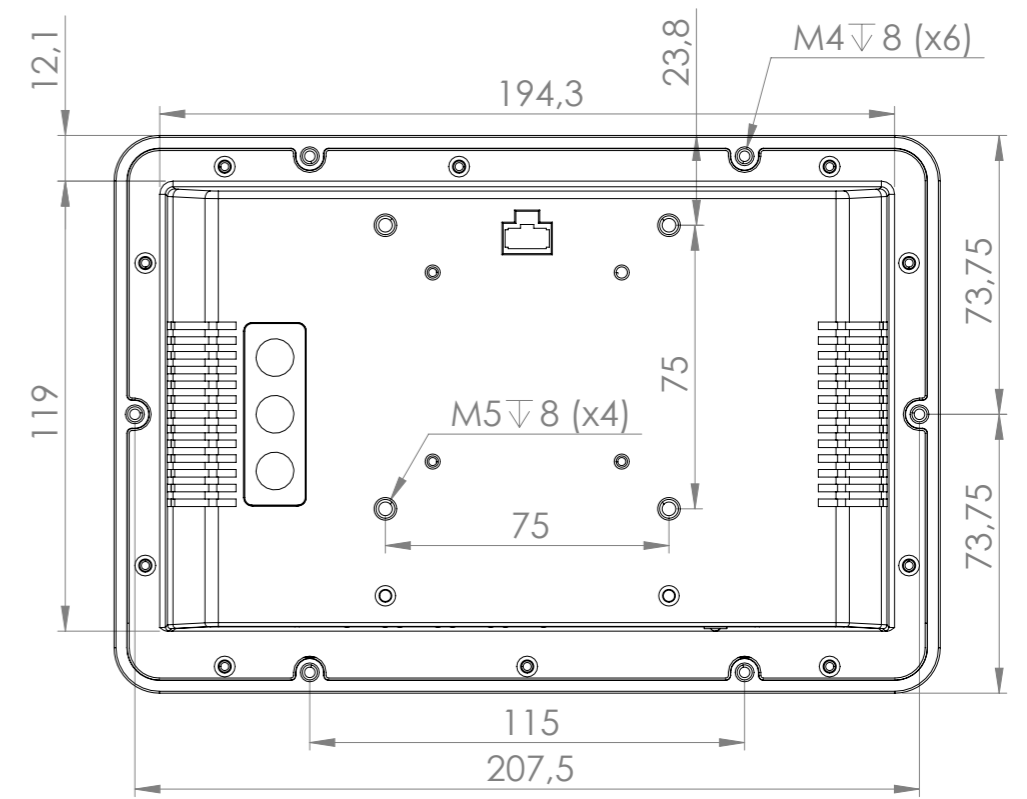
TOP VIEW



FRONT VIEW



SIDE VIEW

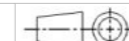


BACK VIEW

UNLESS OTHERWISE SPECIFIED:
-DIMENSIONS ARE IN MILLIMETERS
-TOLERANCES: ISO2768-m

FINISH:

-



FIRST ANGLE
PROJECTION

DO NOT SCALE DRAWING

STATE: RELEASED

REVISION: A

	NAME	SIGNATURE	DATE	NOTE:
DRAWN	ES		2016-09-21	8" Panel PC This drawing is based on 3D model version A12
CHK'D	-		-	
APPV'D	JG		2016-09-21	
Q.A	-		-	
MFG	-		-	

MATERIAL:

-

WEIGHT: -

TITLE:

Outline dimensions
PPC-080T-BT-01

DWG NO.

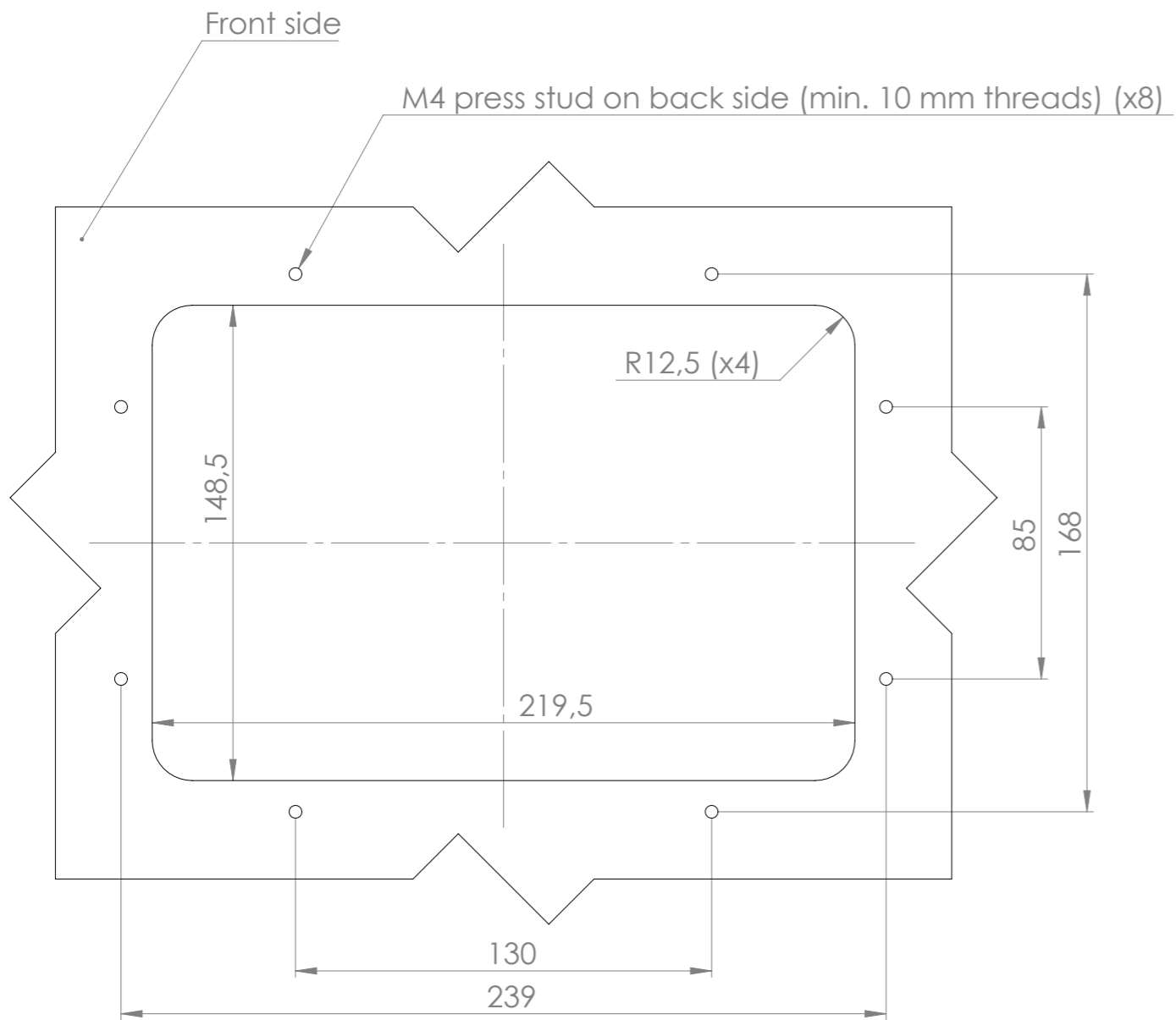
-

SIZE:

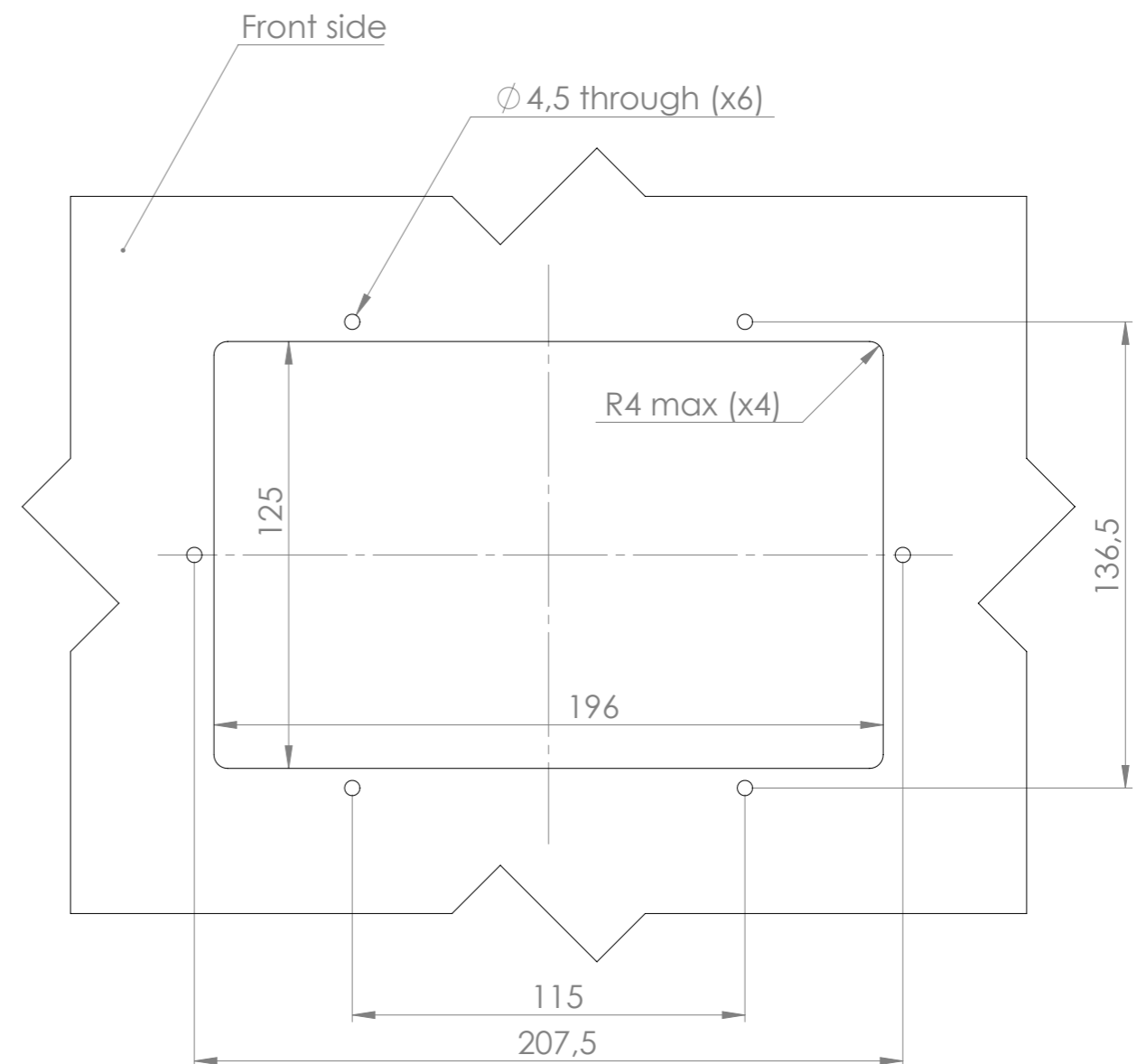
A3

SCALE:1:2

SHEET 1 OF 2



RECOMMENDED CUT OUT FOR
FLUSH MOUNT IN 5 MM THICK PANEL



RECOMMENDED CUT OUT FOR
DROP-IN MOUNT

UNLESS OTHERWISE SPECIFIED:		FINISH:		FIRST ANGLE PROJECTION		DO NOT SCALE DRAWING		STATE: RELEASED		REVISION: A			
-DIMENSIONS ARE IN MILLIMETERS													
-TOLERANCES: ISO2768-m													
-DEBUR AND BREAK SHARP EDGES													
	NAME	SIGNATURE	DATE	NOTE:		TITLE:							
DRAWN	ES		2016-09-21	Optional flush mount kit, drop-in gasket and external fan kit are available on request.		Outline dimensions PPC-080T-BT-01							
CHK'D	-		-					DWG NO.				SIZE: A3	
APPV'D	JG		2016-09-21					SCALE:1:2					
Q.A	-		-					SHEET 2 OF 2					
MFG	-		-										
				MATERIAL:									
				WEIGHT: -									